

## CT-25-10000.GB

Highly compact, high-speed, electrically driven radial turbo compressor with gas bearing for the circulation and compression of various gases and refrigerants.

- High-speed gas bearings for oil free operation
- Lowest ratio of volume and weight versus pressure and mass flow due to highest speeds
- Aerodynamic and electromagnetic optimization for highest total efficiency
- Integrated temperature measurement for overload protection
- Compatible to converter CC-550-7500



### Specifications turbo compressor

Maximum pressure ratio	2.1
Maximum mass flow	90 g/s
Maximum isentropic overall efficiency <sup>1</sup>	64%
Maximum speed	150,000 rpm
Acceleration time <sup>2</sup>	<1.8 s
Maximum electric motor power demand	7 kW
Weight	8.8 kg (incl. cable)
Dimensions (L x W x H)	303 x 154 x 193 mm

### Cooling

Liquid	50%/50% water glycol mixture
Coolant temperature	-20 – 60 °C
In-/Outlet connector type	According to SAE J1231 430192
Tube ID	10 mm

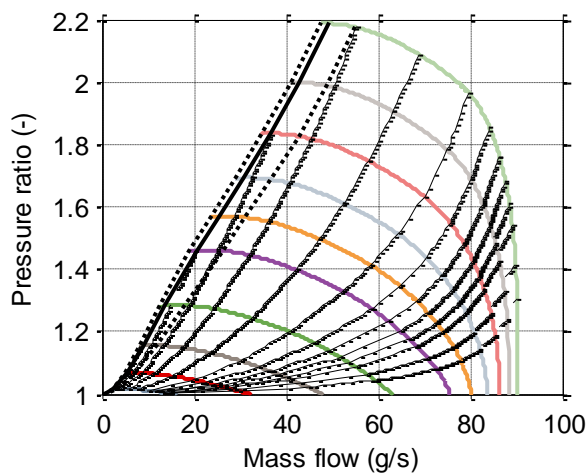
<sup>1</sup> Isentropic overall efficiency including aerodynamic, motor and bearing efficiency

<sup>2</sup> 20 to 80% of maximum speed

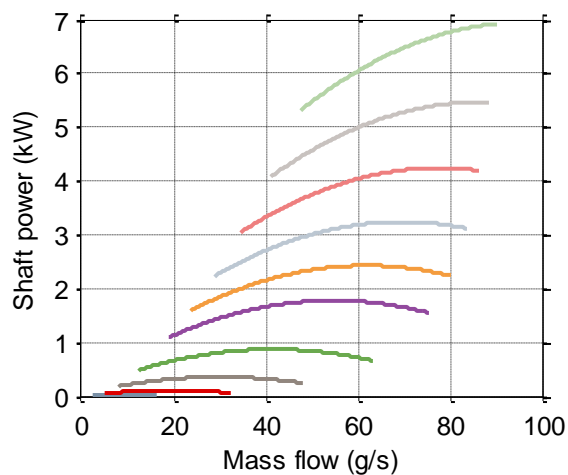
All rights reserved. All information in this document is based on Celeroton TurboCell's best knowledge and is not to be considered as a warranty or quality specification. The information given is designed as a guidance and customers are requested to check the suitability and usability of the product in their specific application with consulting Celeroton TurboCell. The information herein is subject to change without notification.

### Compressor map: overpressure operation

Pressure ratio versus mass flow



Compressor input power versus mass flow



Order codes: CT-25-10000.GBxx

#### Bearing options GBxx

GB01 Air bearing at ISO 8778 inlet conditions

GB99 Custom specific gas bearing (inlet conditions and/or gas etc.)

#### Ordering information

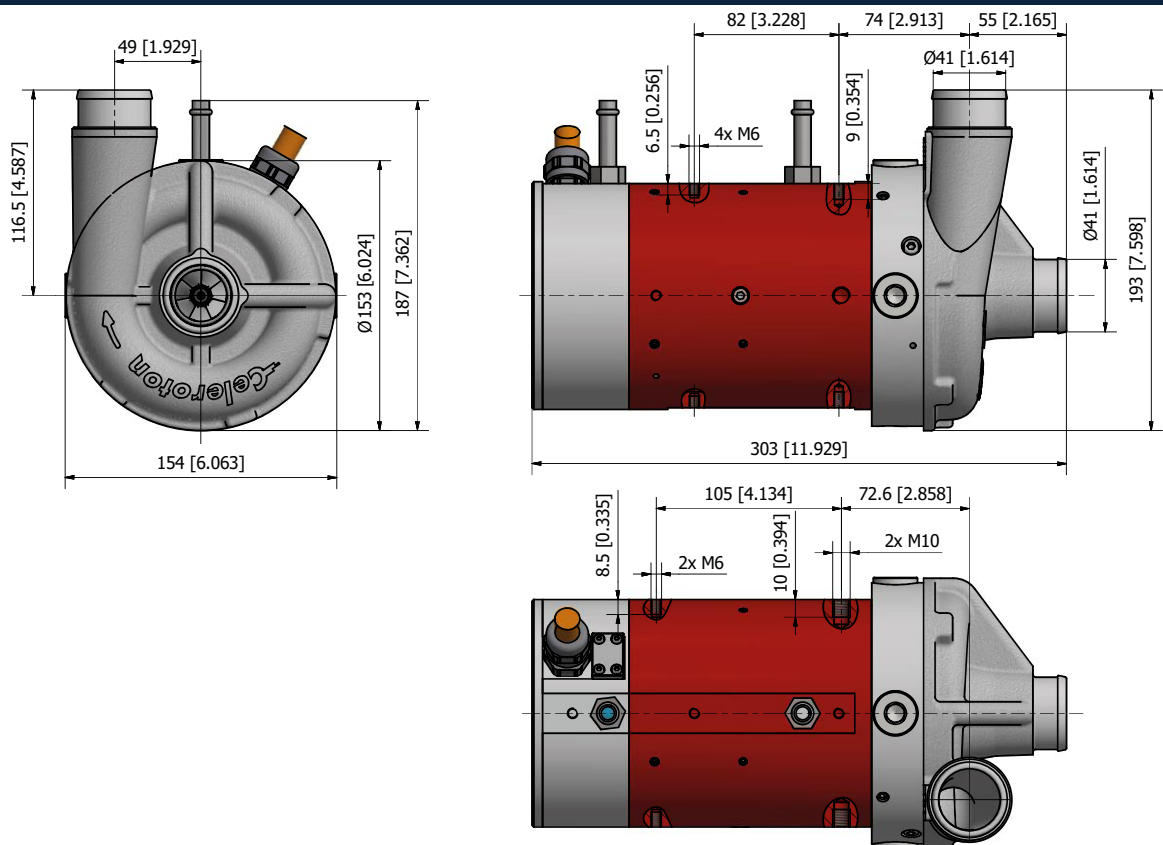
#### Article number

CT-25-10000.GB01 contact sales

CT-25-10000.GB01 with CC-550-7500 (300 – 500 VDC) contact sales

All rights reserved. All information in this document is based on Celeroton TurboCell's best knowledge and is not to be considered as a warranty or quality specification. The information given is designed as a guidance and customers are requested to check the suitability and usability of the product in their specific application with consulting Celeroton TurboCell. The information herein is subject to change without notification.

**Drawing in mm [inch]**



The specifications and compressor maps in this document refer to air (ISO 8778) at the inlet of the compressor: temperature:  $T = 20^{\circ}\text{C}$ , absolute pressure:  $p_{in} = 1 \text{ bar}$ .



Depending on custom specific operation conditions such as e.g. gas inlet pressure and temperature, humidity, cooling conditions, the operation in environmental conditions with vibrations and/or depending on the combination of the compressor and the corresponding Celeroton TurboCell converter, the compressor maps shown in this document may be different or may have additional limitations.

For technical details and further information, please refer to the user manual or contact Celeroton TurboCell directly.